



XY *matic*
trim plus
Jumbo Wallpaper

MAIN FEATURES

- LCD Touch Screen display with intuitive and easy to use software
- Wallpaper automatic vertical alignment +7/-7 cm
- Marks reading sensor
- Self-identification and marks learning
- X&Y axis adjustable speed
- Excellent visibility of the cutting area
- Pinch Roll with silent compressor on the machine for material loading
- Up to 10 vertical pneumatic cutting units
- Double loading roll
- Tower Light
- New manual system of vertical cutting units alignment
- Open vertical cutting edges (no paper jam)
- Monolithic machine body
- Plug & Play
- Up to 20 Personalized Memories
- Pneumatic system to separate the cutting waste

OPTIONAL

- Vertical single pneumatic cutting unit (max 10)
- Double central pneumatic cutting unit
- Vertical cutting guide laser
- Table extension for copy collection

MATERIALS

- Paper (also laminated or encapsulated)
- Wallpaper
- Canvas & polyester (with liner)
- Reflective material
- PVC banner
- Vinyl & Self-adhesive vinyl
- Backlit & frontlit display
- Magnetic rubber
- Film polycarbonate
- Special materials to be tested

XYmatic Trimplus JumboWallpaper



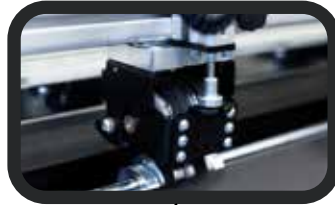
Laser ray for vertical cut (optional)



Tower Light



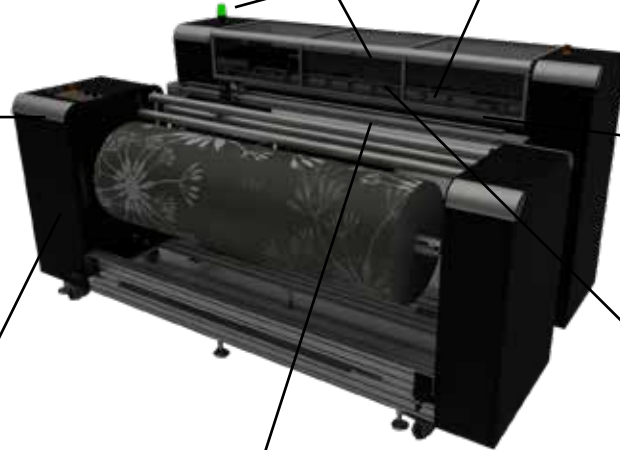
Innovative automatic cutting unit



Intuitive and easy-to-use software



LCD Touch Screen Display



Pneumatic Pinch Roll



Double central cutting units (optional)



Silent compressor inside the machine



Pneumatic vertical cutting units



Table for copies collection (optional)

XY*matic*
trimplus
JumboWallpaper

neolt
Factory



XY Plus Jumbo Wallpaper, is the revolution of industrial wallpaper cutting. The latest invention from the Neolt Factory will allow you to cut jumbo rolls with weights up to 400kg and 500mm in diameter, at a maximum speed of 18 linear meters per minute. The machine is also equipped the innovative system for reading the vertical marks through two sensors, XY jumbo roll wallpaper will be able to move the rolls by + 7 / -7 cm to the right or left. Thanks to this features the results will be a perfect and always aligned vertical cut of your wallpaper. Xy plus Jumbo Wallpaper will also be equipped with smart touch screen interface 2.0 software

TECHNICAL INFO	XY MATIC TRIM PLUS
Width	1650 mm
Cutting thickness	
X AXIS	1,2 mm max
Y AXIS	1 mm max
Speed Advancement	1-18 m/minute
Cutting unit max	10 vertical unit
Horizontal cutting speed	1-150 m/minute
Power supply	230V - 50Hz - 650W
Maximum roll capacity wallpaper	400 kg

